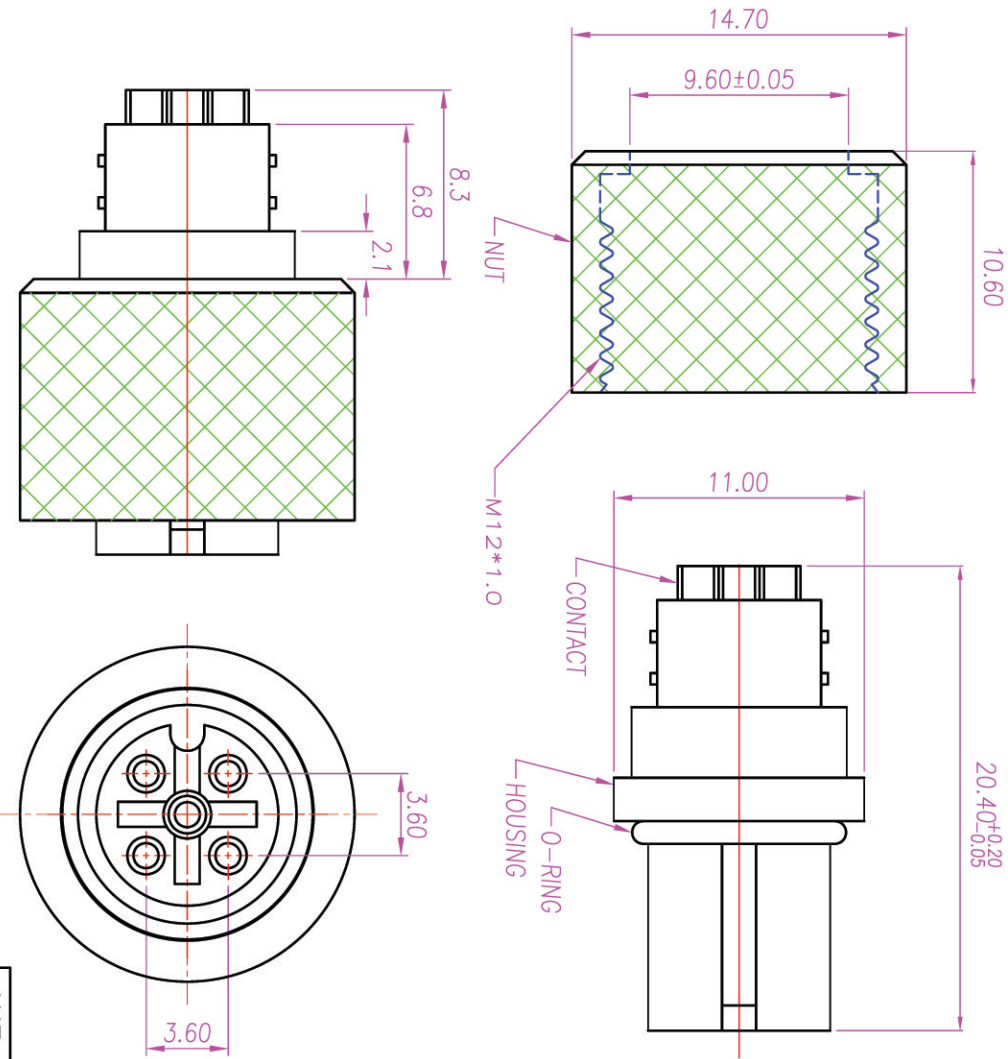


CUSTOMER DRAWING

REV.	DESCRIPTION	APPROVED BY	DATE	ECN NO.
A	RELEASE	Fido Veng	05/03/09*	
B				
C				



- MATERIAL :**
 - 1-1. HOUSING : PBT UL94V-0 ; COLOR : BLACK
 - 1-2. CONTACT : BRASS
 - 1-3. NUT : BRASS
 - 1-4. O-RING :EPDM; COLOR : BLACK
- FINISH :**
 - 2-1. CONTACT : SEE TABLE A
 - 2-2. NUT : NICKEL PLATED 60u" ~ 100u" OVER ALL
- ELECTRICAL SPECIFICATION :**
 - 3-1. Rated current : 5A
 - 3-2. Voltage :125V
 - 3-3. Water proof: IPX7
- Environmental :**
 - 4-1. Operation Temperature : -20°C~85°C

TABLE A

P/N	DESCRIPTION
WP-05F2-19	GOLD FLASH PLATED
WP-05F2-17	10 MICRO INCHES MIN. GOLD PLATED
WP-05F2-16	60 MICRO INCHES MIN. NICKEL PLATED

Assembly

DRAWN	Emily Suen	APP'D		UNIT	mm	TOLERANCE	±0.20 ±0.10 ±0.05 ±0.03 ±0.1°
CHK'D				SCALE	1:1	ANGULAR	±1°
TITLE		PART NO.		SEE TABLE A		DWG NO.	
DRAWING 5 十字端子M12连接器		QC2305		VERSION		A	