

REV.	DESCRIPTION	CHANGE BY	APPL. BY	DATE

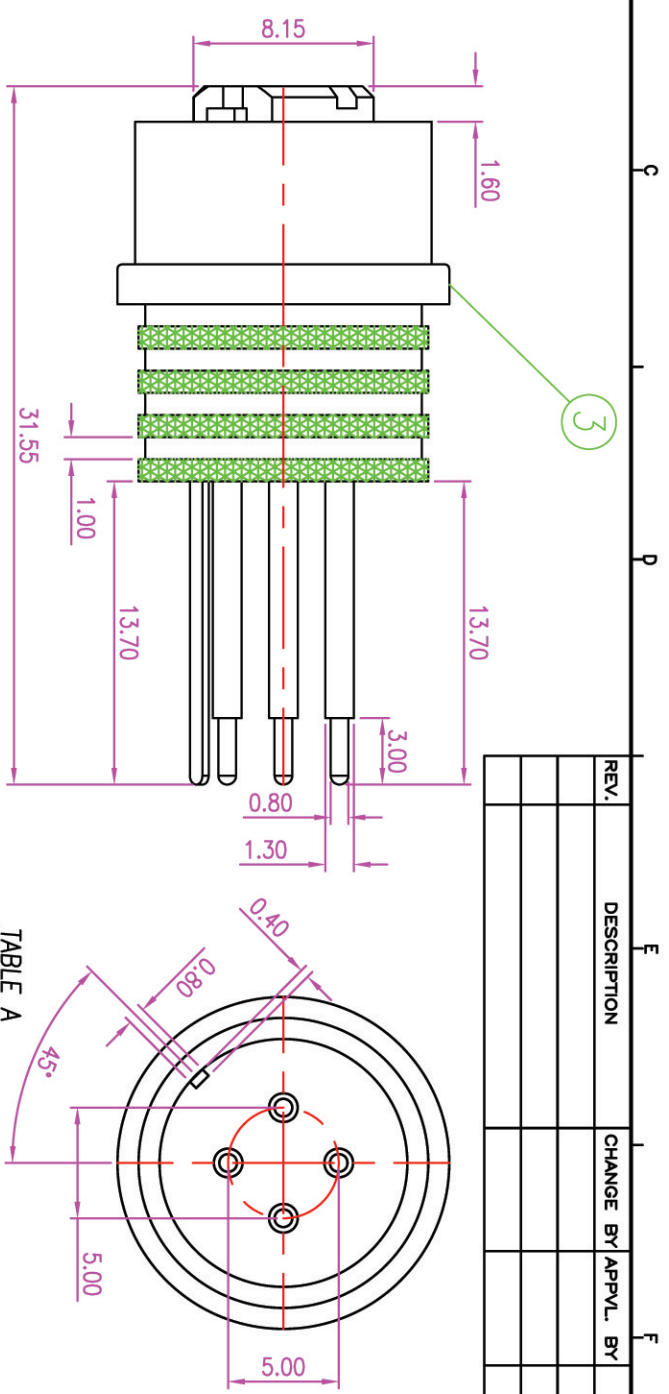
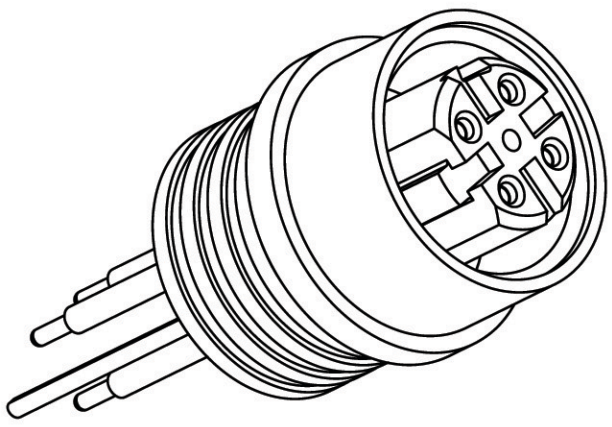
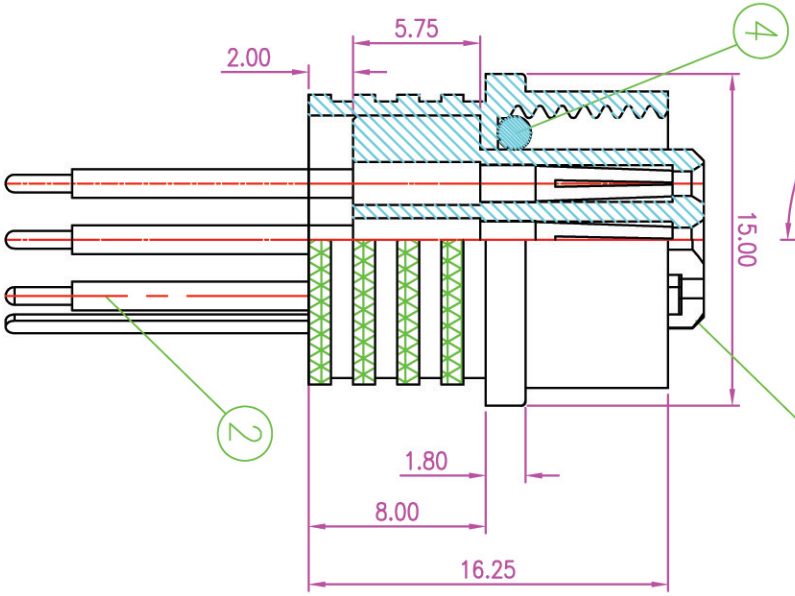


TABLE A

Item	Description	Material	UL File No.
1	Insulation	1403G6	E130155
2	Pin	JIS H3250 C3604 BD	
3	Shell	C3604	



1. MATERIAL
INSULATION: THERMOPLASTIC UL94V-0
COLOR: BLACK.
CONTACT: BRASS
SHELL: BRASS
2. PLATING
CONTACT: CONTACT PLATED 30u" GOLD,
Shell: Nickel 100u"
3. SPECIFICATION
CURRENT: 2 A.
OPERATING TEMPERATURE: -20° C TO 105° C.
INSULATION RESISTANCE: 1000 MEGAOHMS MIN.
DIELECTRIC STRENGTH: 500V AC MIN.

95787648

繪圖	WEI	日期	04/10/18	單位	mm	一般公差	比例	1:1	品名	M12 Enet In 4 Pole Female	圖號	QC1493	圖號	QC1493	圖號	QC1493	圖號	QC1493
FRANK	WEI	DATE	04/10/18	單位	mm	.x ±0.10 .xx ±0.05	1:1		料號	M12 Enet In 4 Pole Female	圖號	QC1493	圖號	QC1493	圖號	QC1493	圖號	QC1493
APPL. BY	FRANK	VERSION	ORIG.	SCALE	1:1				PART NO.	WP-05F2-11	DWG NO.	QC1493	DWG NO.	QC1493	DWG NO.	QC1493	DWG NO.	QC1493