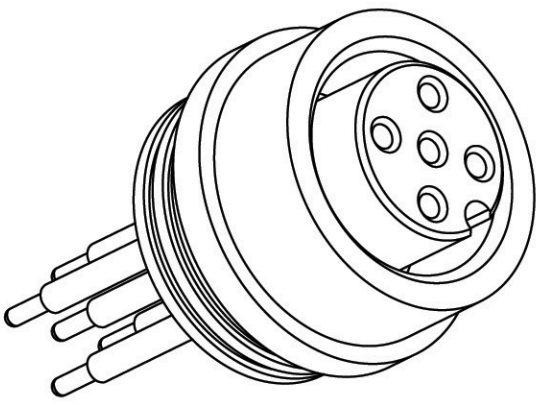
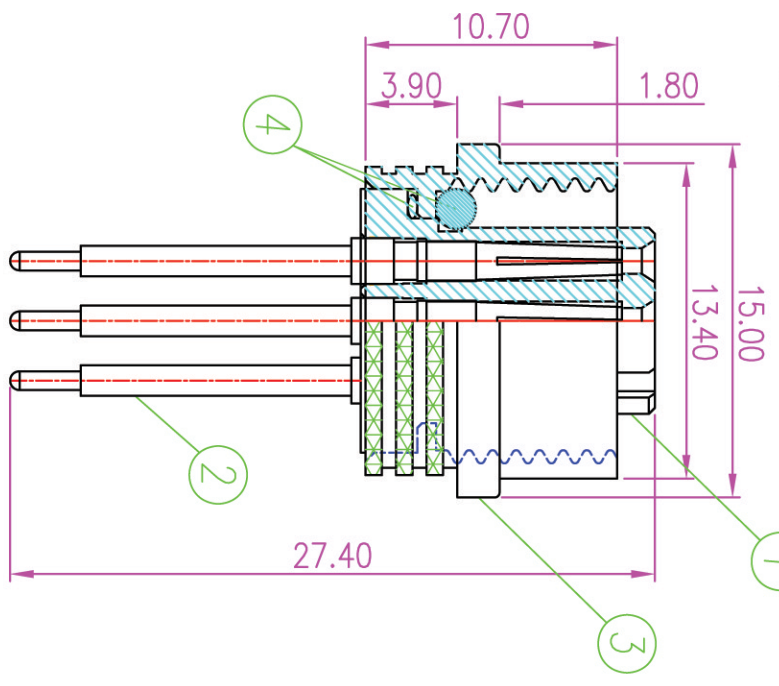
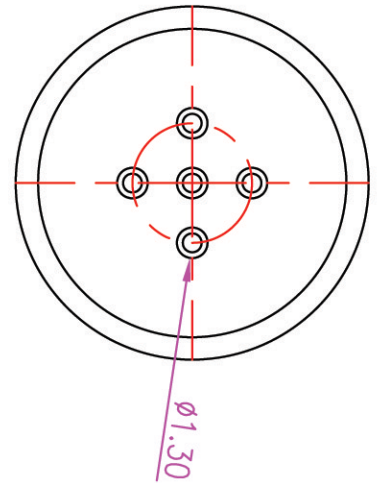
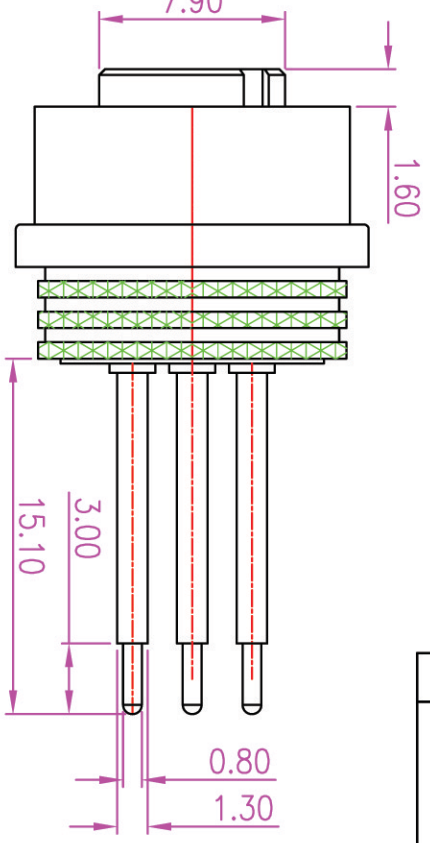
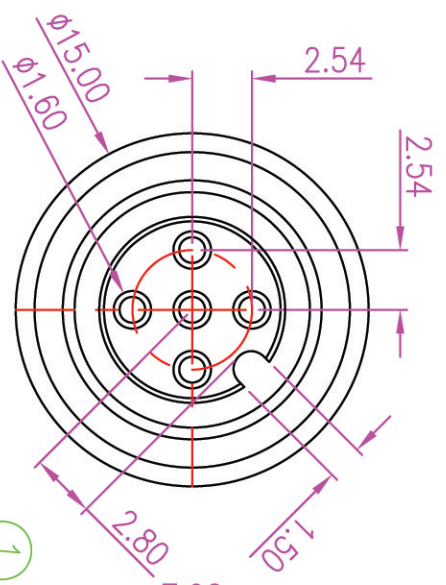


REV.	DESCRIPTION	CHANGE BY	APPV. BY	DATE



95787641

TABLE A

Item	Description	Material	UL File No.
1	Insulation	1403G6	E130155
2	Pin	MS H3250 C3604 BR	
3	Shell	C3604	
4	O-Ring	KE 951-U	E48923(S)

1. MATERIAL
INSULATION: THERMOPLASTIC UL94V-0
COLOR: BLACK.
CONTACT: BRASS
SHELL: BRASS
2. PLATING
CONTACT: CONTACT PLATED 30u" GOLD,
Shell: NICKEL 100u"
3. SPECIFICATION
CURRENT: 2 A.
OPERATING TEMPERATURE: -20°C TO 105°C.
INSULATION RESISTANCE: 1000 MEGOHMS MIN.
DIELECTRIC STRENGTH: 500V AC MIN.

繪圖 DRAW. BY	WEI	日期 DATE	04/10/18	單位 UNIT	mm	一般公差 TOLERANCE	公差 TOLERANCE	圖號 DWG. NO.	QC1482	圖號 DWG. NO.	QC1482	圖號 DWG. NO.	QC1482	圖號 DWG. NO.	QC1482	
核准 APPV. BY	FRANK	版本 VERSION	ORIG.	比例 SCALE	1:1	.x ±0.10 .xx ±0.05	圖號 DWG. NO.	QC1482	圖號 DWG. NO.	QC1482	圖號 DWG. NO.	QC1482	圖號 DWG. NO.	QC1482	圖號 DWG. NO.	QC1482