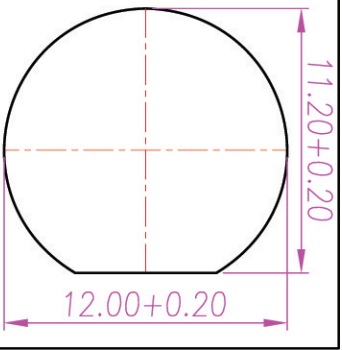
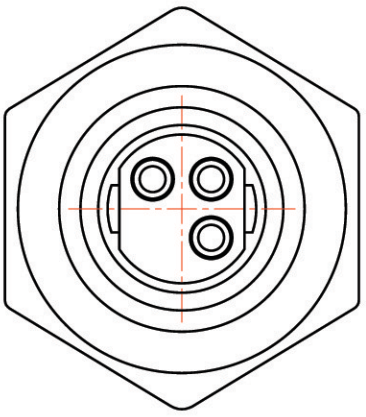
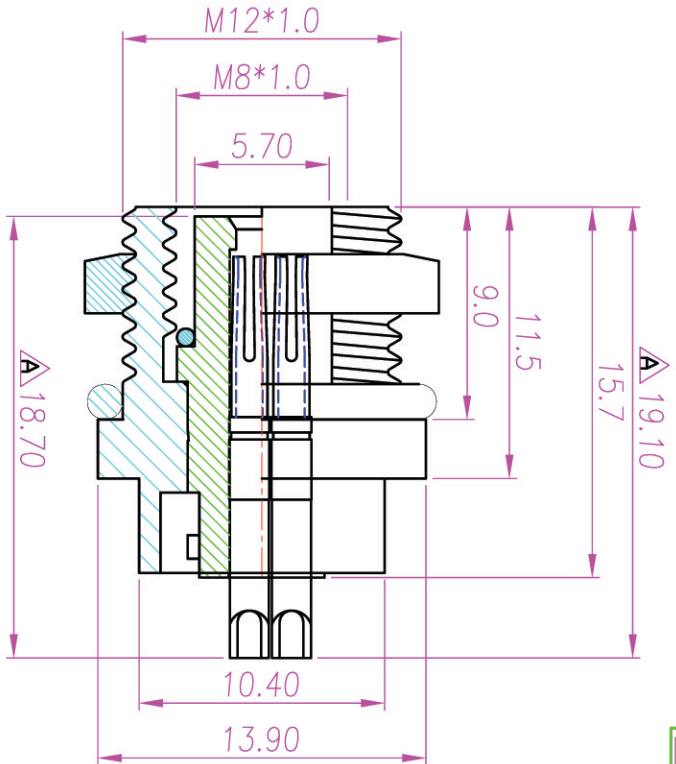
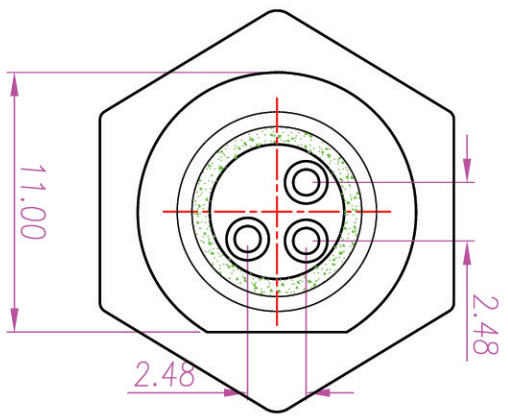


CUSTOMER DRAWING

REV.	DESCRIPTION	APPL. BY	DATE	ECN NDL
A	Change DIM.	Fido	08/12/08"	ECH08011
B				
C				



PANEL CUT-OUT

1. MATERIAL
 INSULATION: THERMOPLASTIC UL94V-0
 COLOR: BLACK.
 CONTACT: BRASS
 SHELL: BRASS
 NUT:BRASS
 O-Ring: NBR(BLACK)
2. PLATING
 CONTACT: GOLD 10u" on contact
 Goldflash on solder Area
 Shell:NICKEL 60u"
 NUT:NICKEL 60u"

DRAW	Hulk	DATE	12/12/08"	UNIT	mm	TOLERANCE	.x ±0.20 .xx ±0.10 .xxx ±0.05 .xxxx ±0.03 ANGLA ±1°		TITLE	M8-3PIN(F)M8	SHEET	1
CHECK		APPL		SCALE	1:1				PART NDL	WP-03F2-06	DWG NDL	QC3402