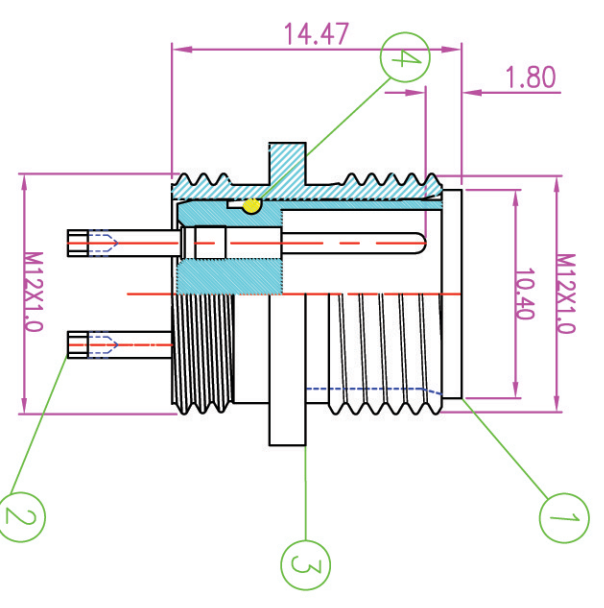
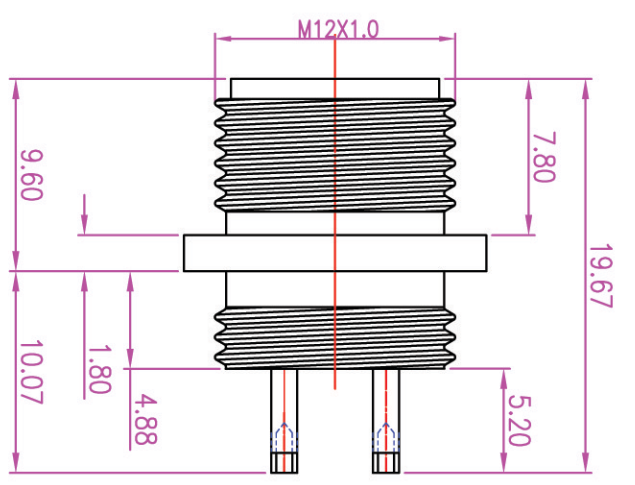
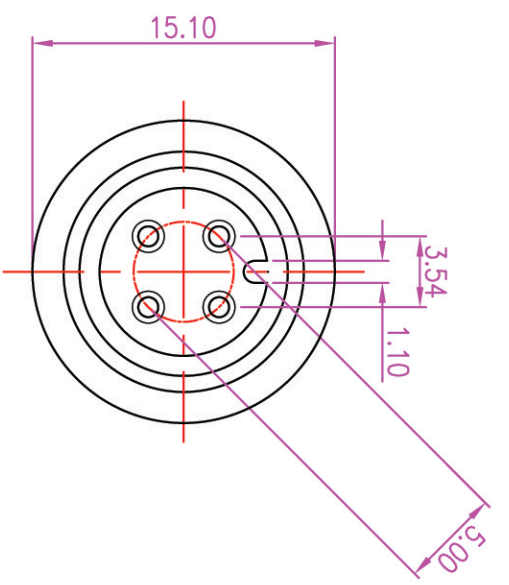


REV.	DESCRIPTION	CHANGE BY	APPL. BY	DATE



TYPE A

Item	Description	Material	UL File No.
1	Insulation	1403G6	E130155
2	Pin	AS 14220 C3604 BR	
3	Shell	C3604	
4	O-Ring	NBR	

1. MATERIAL
INSULATION: THERMOPLASTIC UL94V-0
COLOR: BLACK.
CONTACT: BRASS
SHELL: BRASS
2. PLATING
CONTACT: NI 60u"
Shell: NICKEL 100u"
3. SPECIFICATION
CURRENT: 2 A.
OPERATING TEMPERATURE: -20° C TO 105° C.
INSULATION RESISTANCE: 1000 MEGOHMS MIN.
DIELECTRIC STRENGTH: 500V AC MIN.

繪圖 DRAW. BY	KU	日期 DATE	11/30/06"	單位 UNIT	mm	一般公差 DIMENSIONS	.x ±0.25 .xx ±0.10	圖示	品名 ITEM	防水頭 4PIN (M)圓形外徑 M12*1.0	SHEET
核准 APPL. BY	Frank	版本 VERSION	ORING	比例 SCALE	1:1				料號 PART NO.	WP-04M2-09	SIZE
									圖號 DWG NO.	QC2576	A4