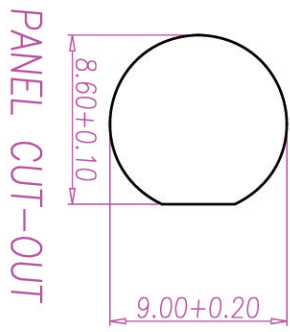
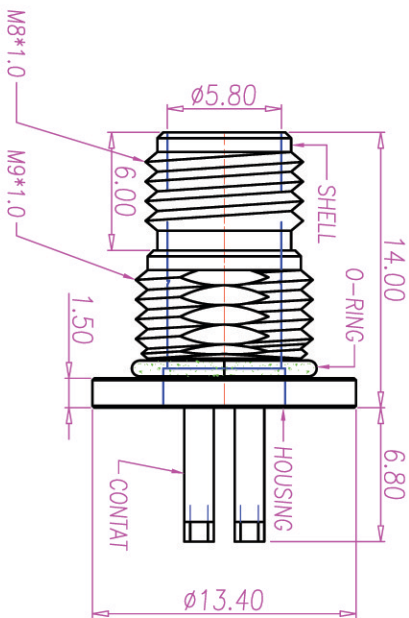
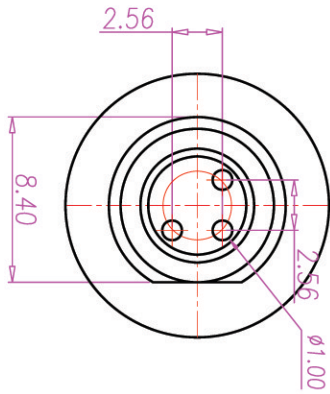
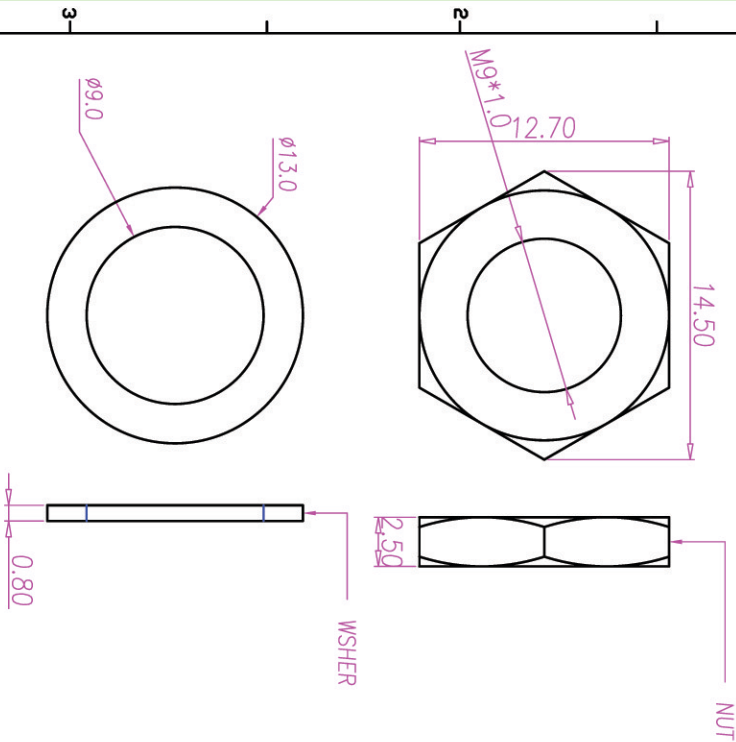


CUSTOMER DRAWING

REV.	DESCRIPTION	APPROVED BY	DATE	ECN NDL
A	RELEASE	Fido Veng	17/02/09*	
B				
C				



PANEL CUT-OUT

- MATERIAL :**
 - HOUSING : PBT UL94V-0 ; COLOR : BLACK
 - CONTACT : BRASS
 - SHELL : BRASS
 - WASHER : BRASS
 - NUT : BRASS
 - O-RING :EPDM ; COLOR : BLACK
- FINISH :**
 - CONTACT : 10 MICRO INCHES MIN. GOLD PLATED UNDER PLATE : NICKEL
 - SHELL : NICKEL PLATED 60u" ~ 100u" OVER ALL
 - WASHER: NICKEL PLATED 60u" ~ 100u" OVER ALL
 - NUT : NICKEL PLATED 60u" ~ 100u" OVER ALL
- ELECTRICAL SPECIFICATION :**
 - Rated current : 5A
 - Voltage : 125V
 - Water proof: IPX7
- Environmental :**
 - Operational Temperature : -20 C~85C

DRAWN	APP'D	UNIT	MM	TOLERANCE	SCALE	1:1	ANGULA	31°	PART NDL	WP-03ME-08	DWG NDL	QC3839	SHEET	A
CHK'D				±0.20			x	±0.10	TITLE	WP M8 3PIN RECEPTACLE			VERSION	A
				±0.10			.xx	±0.05						
				±0.03			.xxxx	±0.03						
				±1°			ANGULA	31°						