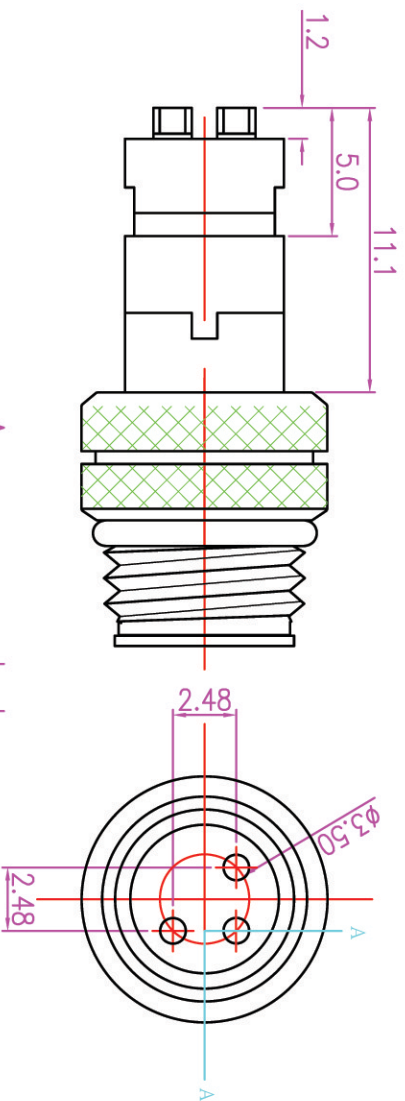
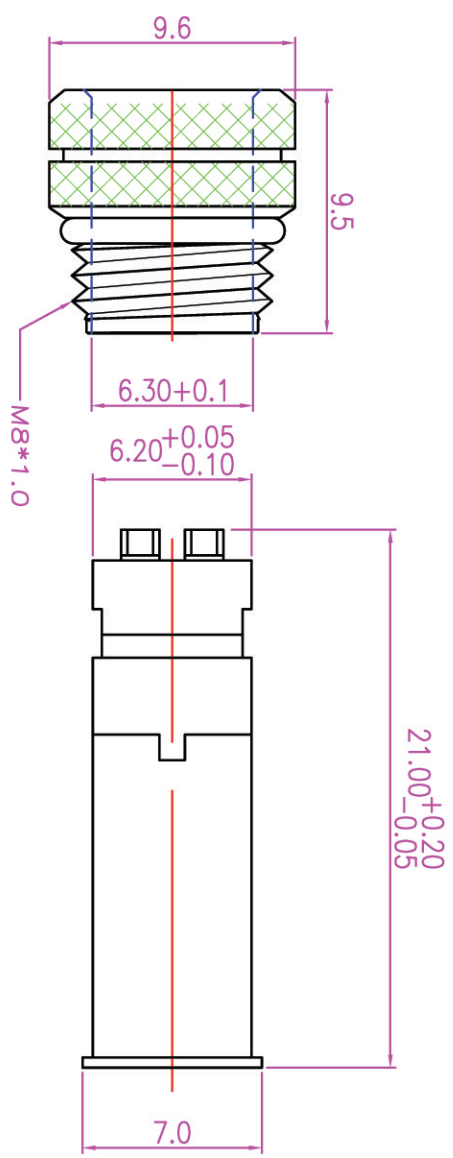
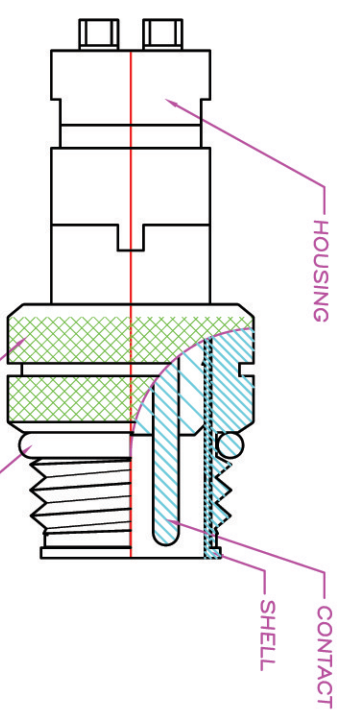


CUSTOMER DRAWING

REV.	DESCRIPTION	APPV. BY	DATE	ECN NO.
A	RELEASE	Fido Wang	22/12/08	
B				
C				



Assembly



SECTION AA

- NOTE:**
- MATERIAL :**
 - 1-1. HOUSING : PBT UL94V-0 ; COLOR : BLACK
 - 1-2. CONTACT : COPPER ALLOY
 - 1-3. SHELL : COPPER ALLOY
 - 1-4. NUT : COPPER ALLOY
 - 1-3. O-RING : NBR ; COLOR : BLACK
 - FINISH :**
 - 2-1. CONTACT : 10 MICRO INCHES MIN. GOLD PLATING OVER NICKEL
 - 2-2. SHELL : NICKEL PLATED 60u" ~ 100u" OVER ALL
 - 2-2. NUT : NICKEL PLATED 60u" ~ 100u" OVER ALL
 - ELECTRICAL SPECIFICATION :**
 - 3-1. Rated current : 5A
 - 3-2. Voltage : 125V
 - 3-3. Water proof: IPX7
 - Environmental :**
 - 4-1. Operation Temperature : -40 °C~85°C

DRAW	HUIK	APPVL	UNIT	mm	TOLERANCE	±0.20	±0.10	±0.05	±0.03	ANGULA Ft	TITLE	MR-3PIN(M)	DWG NO.	QC3407	SHEET	A
CHECK			SCALE	1:1							PART NO.	WP-03MD-03			VERSION	A